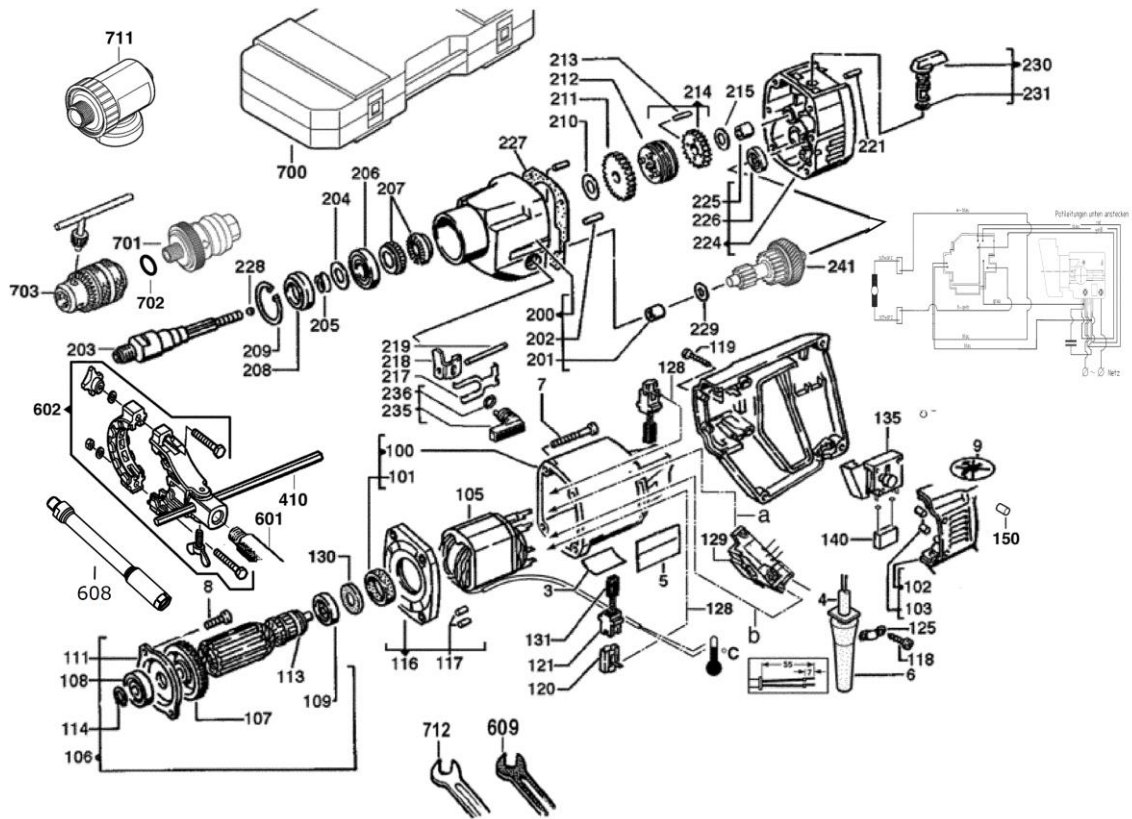


DD2-160XE DIAMOND DRILL IN2
 4000368691 DD2-160XE 4933368690



Position	Description (Qty)
0003	RATING PLATE (1)
0004	CONNECTION CABLE (1)
0005	NAME PLATE (2)
0006	CABLE ENTRY SLEEVE (1)
0007	SCREW D 912 M 4X70 8G (4)
0008	SCREW (2)
0009	LABEL (1)
0100	HOUSING (1)
0101	RUBBER SLEEVE (1)
0102	HANDLE (1)

0103	HOLDING-DOWN DEVICE (4)
0105	ELECTRIC FIELD (1)
0106	ARMATURE (1)
0107	FAN (1)
0108	GROOVED BALL BEAR. (1)
0109	BALL BEARING (1)
0111	BEARING COVER (1)
0113	INSULATING DISC (1)
0114	RING (1)
0116	AIR DEFLECTOR RING (1)
0117	RUBBER STOP (2)
0118	SCREW (2)
0119	SCREW (7)
0120	BRUSH HOLDER (2)
0121	BRUSH HOLDER INSUL (2)
0125	CABLE COLLAR (1)
0128	CONNECTION CABLE (2)
0129	PRINTED CIRC. BOARD (1)
0130	FELT WASHER (1)
0131	CARBON BRUSH SET (1)
0135	SWITCH (1)
0140	CAPACITOR (1)
0150	HOLDING-DOWN DEVICE (1)

0200	GEAR BOX (1)
0201	NEEDLE BEARING (1)
0202	PIN (2)
0203	DRILL SPINDLE (1)
0204	DISC (1)
0205	PRESSURE SPRING (1)
0206	BALL BEARING (1)
0207	PERCUSSION SLEEVE (2)
0208	SEAL RING (1)
0209	LOCKING RING (1)
0210	DISC (1)
0211	DRILL SPINDLE WHEEL (1)
0212	SHIFT RING COMPL. (1)
0213	PIN (2)
0214	DRILL SPINDLE WHEEL (1)
0215	DISC N874237 8,1X16X0,5 (1)
0217	RETAINING SPRING (1)
0218	SWITCH LEVER (1)
0219	PIN (1)
0221	PIN (1)
0224	BEARING END PLATE (1)
0225	SLEEVE N874989 HKO 0810 (1)
0226	BALL BEARING (1)

0227	GASKET (1)
0228	BALL (1)
0229	DISC N874237 8,3X16,5X1 (1)
0230	SWITCH LEVER (1)
0231	O-RING N874701 8X1 (1)
0235	SWITCH LEVER (1)
0236	O-RING N874701 14X1 (1)
0241	REDUCTION GEAR (1)
0410	DEPTH GAUGE (1)
0601	HANDLE (1)
0602	CLAMPING RING (1)
0608	Not available for this version (1)
0609	KEY (1)
0700	CARRYING CASE (1)
0702	O-RING (1)